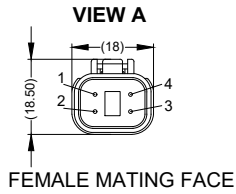
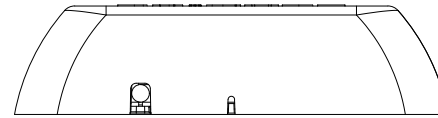
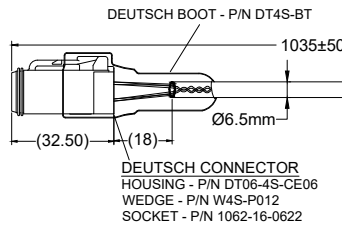
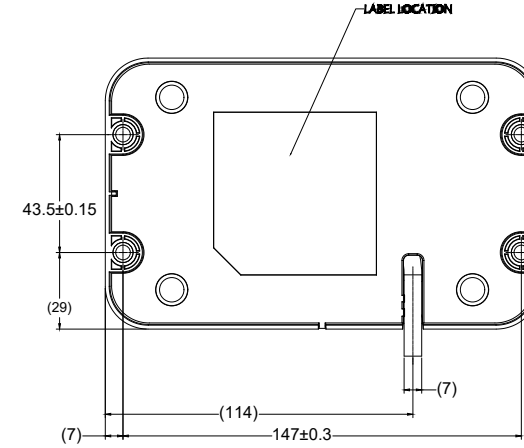
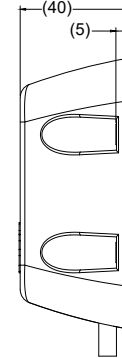
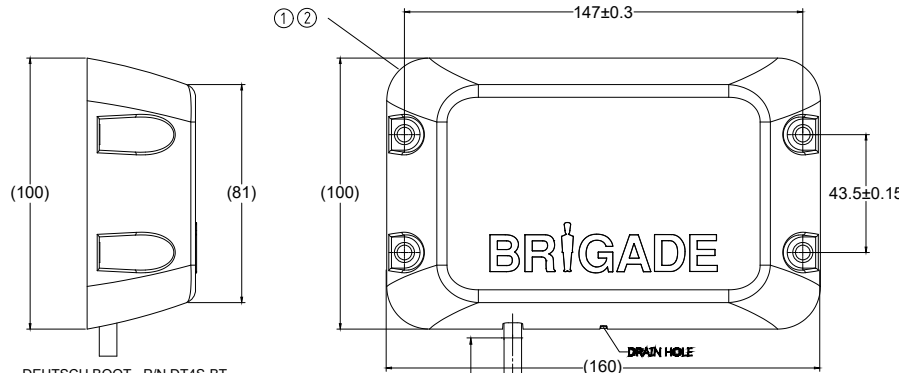
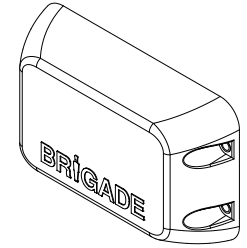
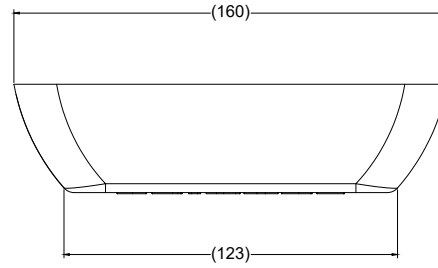


Revision Notes				
R1 - FIRMWARE VERSION UPDATE AS PER ECR-A1010.				
APA: ZOE CHEN	Drawn: L. CHEUNG	Checked: S. LAWAL	Approved: A. KEBEDE	Date: 14/04/2023



PIN	WIRE COLOUR	DESCRIPTION
1	BROWN	GND
2	GREEN	CAN HIGH (PAIR 1)
3	YELLOW	+12V/24V
4	BLUE	CAN LOW (PAIR 1)



BS-9100X						
ITEM	PART NO.	QTY	MODEL NO.	DESCRIPTION	SYSTEM CONTENTS	
					BS-9100T (6350)	BS-9100 (6351)
①	6391	1	BS-9100T-S	Backsense® Sensor - CAN-bus Network 77 GHz Radar - Terminated	1	-
②	6392	1	BS-9100-S	Backsense® Sensor - CAN-bus Network 77 GHz Radar	-	1
③	6401	1	GENERIC-UG-SW-QG	Generic User Guide and Software Link Card (Not Shown)	1	1
④	6491	1	BS-FIX-02	Radar Sensor Fixing Kit (Not Shown)	1	1

- NOTES:
- MATERIAL: POLYMER PER KINGFA MAC-702 UV.
 - COLOUR: BLACK.
 - SURFACE FINISH: EXTERIOR SURFACES TO BE TEXTURED PER MOLD-TECH TEXTURE NO. MT11020.
 - RADAR SENSOR IS SUPPLIED WITH FOUR SCREW (M5 x 30MM, BUTTON HEAD (HEX), STAINLESS STEEL) AND FOUR M5 POLYMER INSERT LOCK NUTS (M5, HEX, NYLOC, STAINLESS STEEL) NOT SHOWN IN DRAWING.
 - REFER TO PRODUCT SPECIFICATIONS FOR MORE DETAILS.
 - THE OUTSIDE CABLE INSULATION MUST END MINIMUM 20MM WITHIN THE BOOT.
 - FIRMWARE VERSIONS 'RADAR_V_0_0_3_20_DSP_Z7_0_CRC.HEX' & 'RADAR_V_0_0_3_20_DSP_Z7_1_CRC.HEX' TO BE PRELOADED TO THE SENSOR DURING MANUFACTURING.
 - FOR PACKING AND LABELING DETAIL PLEASE REFER TO THE LATEST REVISION OF THE MASTER BOM.

PROPRIETARY NOTICE
 THIS DESIGN AND TECHNICAL INFORMATION APPEARING ON THIS DRAWING IS THE PROPERTY OF BRIGADE ELECTRONICS, AND IS DISCLOSED IN CONFIDENCE. IT IS NOT TO BE COPIED, REPRODUCED, REVEALED TO OR EXPROPRIATED BY OTHERS, EITHER IN WHOLE OR IN PART WITHOUT THE EXPRESS WRITTEN CONSENT OF BRIGADE ELECTRONICS.



Assembly Pl Approval ZOE CHEN	Approved by R. PENTLEY	Checked by S. GOVENDER	Drawn by L. CHEUNG
Angle of Projection	Units mm	Scale N/A	Released 18/10/22
Third Angle	Status RELEASED	Assembly Ref BS-9100X	
	Part No VARIOUS	BE-004516-01-21	

BRIGADE®